



# OPERATORS

for potentially explosive atmospheres  
 flameproof enclosure  
 II2G Ex d IIB+H2 Gb T6...T4, II2D Ex tb IIIC Db IP66/IP67  
 aluminium or stainless steel enclosure

Series  
**LPKF**  
**WSLPKF**

## FEATURES

- Explosionproof operator for use in potentially explosive atmospheres according to Directive ATEX 2014/34/EU
- EC type examination certificate (LCIE 10 ATEX 3043X) and IECEx certificate (IECEx LCI 10.0010X) are in compliance with the International and European Standards IEC and EN: 60079-0, 60079-1 and 60079-31
- Easy electrical installation by means of a screw terminal coil
- Enclosure provided with a 1/2 NPT threaded entry hole for a broad range of cable entries
- Ingress protection degree IP67 - NEMA 4/4X
- A wide range of valves can be supplied with the operator

## CONSTRUCTION

<b>Solenoid enclosure</b>	LPKF	Aluminium, cataphoresis black painting
	WSLPKF	Stainless steel (AISI 316L)
<b>Bonnet</b>	LPKF	Stainless steel
	WSLPKF	Stainless steel (AISI 316L)
<b>Cover screws</b>		Stainless steel
<b>Core, core tube and plugnut</b>		Stainless steel
<b>Seals</b>		VMQ
<b>Upper disc</b>		FPM
<b>Lower- disc</b>		NBR
<b>Nameplate</b>		Stainless steel
<b>Coil connection</b>		Embedded screw terminals

## ELECTRICAL CHARACTERISTICS

### Standard voltages

DC (=): 24V - 48V

AC (~): 24V - 48V - 115V - 230V / 50 Hz

## SAFETY CODE

II2G Ex d IIB+H2 Gb T6...T4

II2D Ex tb IIIC Db T85°C...T135°C IP66/IP67

## TEMPERATURE CLASSIFICATION TABLES

The minimum allowable ambient temperature is -40°C for the operator.  
 Select the requested "T" classification from the temperature classification table (AC or DC), respecting the maximum ambient temperature and cold (20°C) electrical holding power value.

AC (~) Solenoids

DC (=) Solenoids

power level (watt)	insulation class	maximum ambient temp. °C <sup>(5)</sup> "T" classification		
		T6	T5	T4
<b>Low power (LP)</b>				
-	-	-	-	-
2,4 <sup>(2)(4)</sup>	F	40	65	80

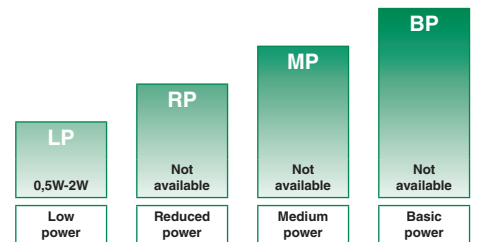
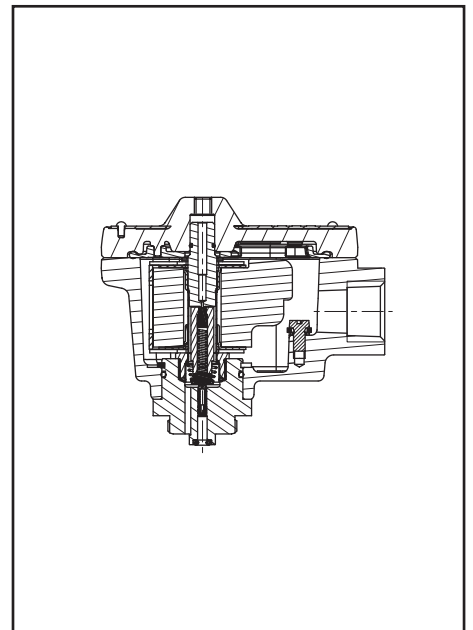
power level (watt)	insulation class	maximum ambient temp. °C <sup>(5)</sup> "T" classification		
		T6	T5	T4
<b>Low power (LP)</b>				
0,5 <sup>(3)</sup>	F	60	-	-
2,1 <sup>(4)</sup>	F	40	-	80

<sup>(2)</sup> AC (~): rectified coil construction.

<sup>(3)</sup> 24 V DC value.

<sup>(4)</sup> Maximum cold wattage.

<sup>(5)</sup> For the layout of the control circuit, see the installation and maintenance instructions at: [www.asconumatics.eu](http://www.asconumatics.eu)



POWER LEVELS - cold electrical holding values (watt)

### PREFIX TABLE

prefix							description	power level			
1	2	3	4	5	6	7		LP	RP	MP	BP
L	P	K	F				Flameproof- Aluminium (IEC/EN: 60079)	●	-	-	-
W	S	L	P	K	F		Flameproof- St. steel (IEC/EN: 60079)	●	-	-	-
						X	Other special constructions	-	-	-	-

- Available feature
- Not available

### PRODUCT SELECTION GUIDE

(The selection can only be made in conjunction with the appropriate valve catalogue sheet)

#### STEP 1

Select basic valve catalogue number, including pipe thread identification letter from one of the specification tables on the separate catalogue pages.

**Example: G551B305**

#### STEP 2

Select voltage. Refer to standard voltages on page 1.

**Example: 24V / DC**

#### STEP 3

Select solenoid prefix (combination). Refer to the prefix table on this page and respect the indicated power level, cold electrical holding values and "T" classification mentioned on page 1.

*NOTE: Make sure that the ambient temperature does not exceed the allowable valve temperature characteristics.*

**Example: LPKF**

**60°C ambient**

**Low Power (LP) 0,5 W**

**II2G Ex d IIB+H2 Gb T6**

**II2D Ex tb IIIC Db IP67**

**T85°C**

#### STEP 4

Final catalogue / ordering number.

**Example:**

**LPKF 8551B305 24V / DC**

### ORDERING EXAMPLES:

LPKF	G	551B305	MO	24V
LPKF	G	551B305	MO	230V
WSPKF	8	551B305		24V
WSPKF	8	551B305		230V

prefix — pipe thread — basic number — voltage — suffix

### INSTALLATION

- Multi language installation/maintenance instructions are included with each valve
- The solenoid valves can be mounted in any position without affecting operation
- Internal and external earthing connection
- The solenoid can be rotated 360° to select the most favourable position for cable entry

### DIMENSIONS (mm), WEIGHT (kg)



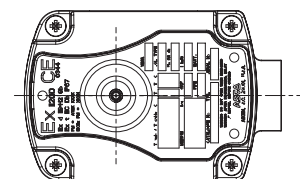
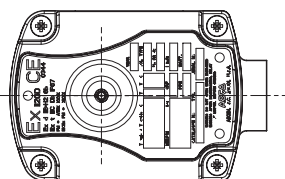
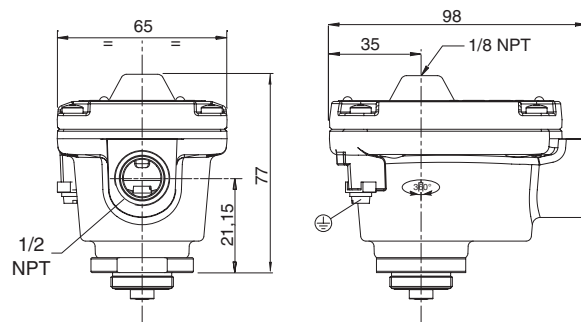
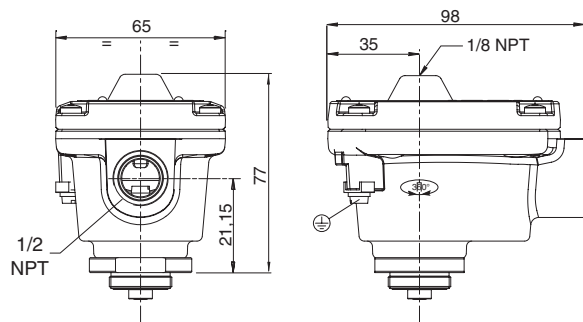
#### TYPE 01:

Prefix "LPKF" Solenoid  
Aluminium, revêtement époxy  
IEC and EN: 60079-1, 60079-31  
II2G Ex d IIB+H2 Gb T6...T4 - II2D Ex tb IIIC Db IP66/IP67



#### TYPE 02:

Prefix "WSPKF" Solenoid  
Stainless steel, epoxy coated  
IEC and EN: 60079-1, 60079-31  
II2G Ex d IIB+H2 Gb T6...T4 - II2D Ex tb IIIC Db IP66/IP67



type	prefix	weight
01	LPKF	0,55
02	WSPKF	1,16