



GHU9 INKREMENTÁLIS ÉRZÉKELŐ

GHU9-INKREMENTTIANTURI

- Felbontás max. 10 000 P / K
- IP 65, opcionálisan IP67
- 2 m kábellel vagy csatlakozóval
- Opcionális hajtómű



TERMÉKLEÍRÁS

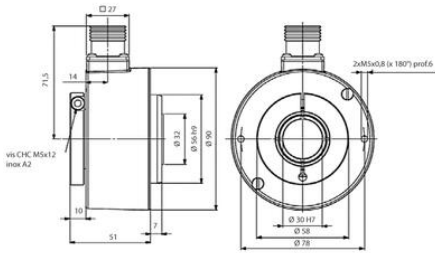
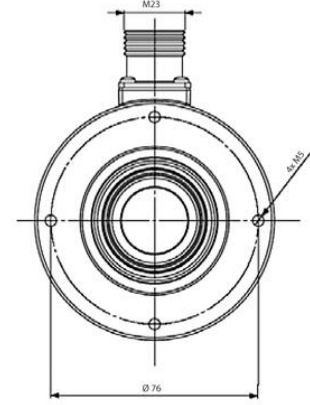
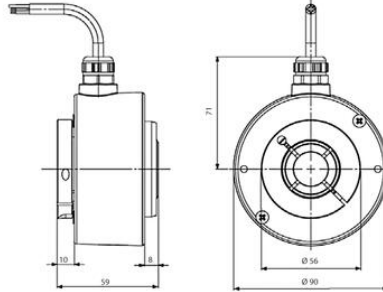
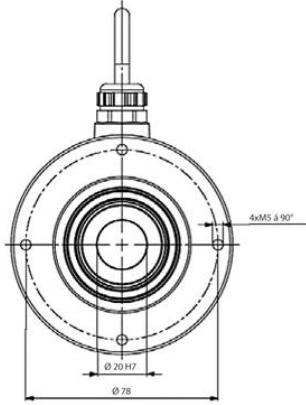
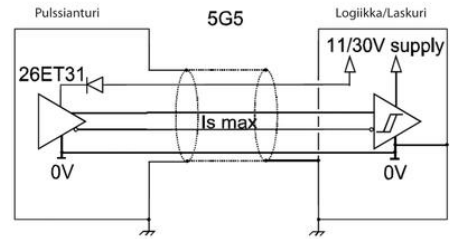
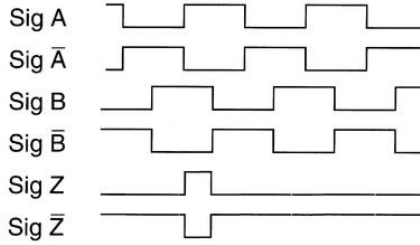
MŰSZAKI ADATOK

Befoglalási átmérő	90 mm
Csatlakozás	Kábel, M23 érintkező
Érzékelő típusa	Differenciális
IP-osztály	IP66, IP67
Kilépés	Push/Pull
Max. impulzusszám	10000
Max. sebesség	6000 rpm
Max. tápfeszültség, DC	30 V DC
Max. üzemi hőmérséklet	100 °C
Min. tápfeszültség, DC	5 V DC
Min. üzemi hőmérséklet	-40 °C
Tengelyátmérő	30 mm

ORDERING REFERENCE [Contact the factory for special versions ex. overspeed switch, electronics, special flanges, connections...]

GHU9	Shaft Ø	Available electronic	Output signal	Resolution	Connection	Connection orientation
Cover zinc Body du	30-30mm	2G2, 5G2, 5G5, 5G6, 5GK, 3G3	9: A,A',B,B',D/D' D: AAS (gated)	10 000 max.	G4: M23 12 pins CCW	R: radial
GHU9 Cover zinc Body stainless steel	30-30mm Noto: reduction ratio available	Supply 2: 5Vdc 5: 11 to 30Vdc	G3: driver 5Vdc: RS422 (A, A',B,B',D/D' D: A, A' (open)) G5: push-pull G7: push-pull 11-30Vdc hormless G6: push-pull 11-30Vdc 150 mA	10 000 max.	G6: M23 12 pins CCW	
GHU9 Cover and body stainless steel	30-30mm option consult us		N: A,A',B,B',D/D' D: (ungated)		G3: PVC cable 8 wires GP: PUR cable 12 wires	Example: R020: axial 0m cable
Ex: GHU9	30 // 5	G5	9 // 5 000 //	GP	R020	

Available resolutions: 1 2 3 4 5 6 7 8 9 10 12 13 14 15 16 19 20 21 24 25 26 28 29 30 32 35 36 39 40 43 45 46 48 50 54 56 58 60 63 64 66 67 70 72 74 75 76 80 84 86 88 89 90 91 94 96 100 107 110 120 122 123 127 128 130 132 133 138 140 147 150 152 155 160 166 169 170 172 176 180 188 193 196 200 201 205 209 220 225 234 240 241 242 245 248 250 254 255 256 258 259 267 268 275 283 285 295 300 305 314 318 319 320 330 340 350 360 367 375 378 380 381 386 390 399 400 405 410 424 425 438 443 450 471 480 489 495 500 505 510 515 524 540 550 560 580 600 623 625 628 630 635 636 650 660 700 720 740 750 752 754 800 810 840 860 880 891 900 942 950 1000 1024 1080 1100 1131 1200 1225 1250 1260 1280 1290 1400 1414 1440 1500 1536 1570 1600 1620 1680 1700 1800 1850 2000 2040 2100 2400 2640 3000 3456 3600 3840 3850 4000 4096 4300 4900 5000 7200 9000 10000



ORDERING REFERENCE (Contact the factory for special versions ex: overvoltage switch, electronics, special flanges, connections...)

GROUP	Shell Ø	Available electronic	Output signal	Resolution	Connection	Connection orientation
GROUP Cover: zinc Body: d.s.	30: 30mm	2G2, 5G2, 5G4, 5G1, 5G4H, 3G3	P: A.A./B.B./O/O (A: A.B. opto)	10 000 max	G4: M23 12 pins CW G5: M23 12 pins CCW G8: M23 12 pins CCW	E: radial
GROUP Cover: zinc Body: stainless steel	32: 32mm	Supply: 2: 24Vdc G2: driver 5Vdc: RS422 G3: driver 12Vdc G5: push-out G7: push-out 11-30Vdc Non-stationary G8: push-out 11-30Vdc 150 mA	A: A.A./B.B./O/O (A: A.B. opto)	10 000 max	G3: PVC cable 8 wires G4: PCB cable 12 wires	Examples: R00: opto 2m cable
GROUP Cover: zinc Body: stainless steel	32: 32mm	Supply: 2: 24Vdc G2: driver 5Vdc: RS422 G3: driver 12Vdc G5: push-out G7: push-out 11-30Vdc Non-stationary G8: push-out 11-30Vdc 150 mA	N: A.A./B.B./O/O (A: A.B. opto)	10 000 max	G3: PVC cable 8 wires G4: PCB cable 12 wires	Examples: R00: opto 2m cable
Ex: GROUP	30 // 5	G5	Y //	5 000 //	GP	R000

Available resolutions: 1 2 3 4 5 6 7 8 9 10 12 13 14 15 16 18 19 20 21 24 25 26 28 29 30 32 33 36 39 40 43 45 46 48 50 54 56 58 60 62 64 66 68 70 72 74 75 76 80 84 86 88 89 90 91 94 96 100 104 110 120 122 123 124 127 128 130 132 134 136 140 144 150 157 159 160 168 169 170 172 175 180 188 191 196 200 201 205 209 222 224 240 241 242 243 246 248 250 254 255 258 259 262 266 272 283 285 291 300 305 314 315 318 320 330 340 350 360 367 375 378 380 381 386 390 397 403 405 410 424 425 438 443 450 471 480 489 495 500 505 512 515 534 540 550 565 580 600 623 625 628 630 635 636 660 700 720 740 750 752 754 780 810 840 860 880 891 900 942 960 1000 1024 1080 1100 1120 1200 1250 1260 1280 1290 1400 1414 1440 1500 1536 1600 1620 1650 1680 1750 1800 1885 2000 2048 2250 2400 2500 2640 3000 3456 3600 3680 3750 4000 4096 4500 4900 5000 7200 8000 10000

