



HCW4 - NEM ÉRINTKEZŐ INKREMENTÁLIS ÉRZÉKELŐ

HCW4PG590032G3

- Felbontás max. 1024 P / K
- A, B és Z csatornák és ugyanaz invertálva
- IP67, opcionális IP69K
- 2m kábellel



TERMÉKLEÍRÁS

MŰSZAKI ADATOK

Befoglalási átmérő	50 mm
Csatlakozás	Kábel
Érzékelő típusa	Differenciális
Felbontás	32 P/R
IP-osztály	IP67
Kilépés	Push/Pull
Max. tápfeszültség, DC	30 V DC
Max. üzemi hőmérséklet	85 °C
Min. tápfeszültség, DC	5 V DC
Min. üzemi hőmérséklet	-40 °C

STANDARD CONNECTION

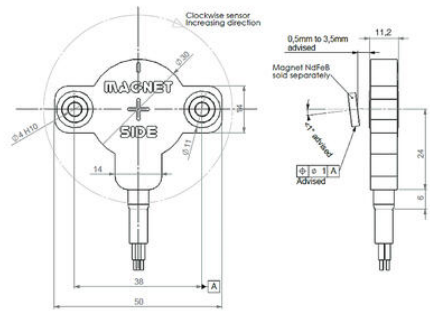
	-	+	A	B	G	AJ	BJ	GJ	Ground	
G3	PVC cable 8 wires 6220/030	Wt white	Bt brown	Ok green	Yt yellow	Ct grey	Pt pink	Bt blue	Rt red	Alsh shield
CP	PUR cable 12 wires 6220/030	Wt white + Wh/GN white/green	Bt blue + Bt/GN brown / green	Ct grey	Bt brown	Rt red	Pt pink	Gt green	Bt black	General shielding

ORDERING REFERENCE (Contact the factory for special versions - ex: stainless steel version, connections...)

	Mechanics	Supply Output stage	Signals	Resolution	Connection	Connection orientation
HCWR	00: Modular	2G2: 5Vdc TL / RS422 output	9: A, A/ B, B/ G, G/	1024: max	G3: PVC cable 8 wires R020: Radial cable 2m	G3: R020: Radial cable 2m
		PG5: 5 to 30Vdc Push-pull output (TL / RS422 available / encoder supply 9, 2Vdc)			GP: PUR cable 12 wires	
Ex-HCWR	00 //	PG5	9 //	01024 //	G3	R020

AVAILABLE RESOLUTIONS

32 44 128 256 1024



STANDARD CONNECTION

	-	+	A	B	G	AJ	BJ	GJ	Ground	
G3	PVC cable 8 wires 6220/030	Wt white	Bt brown	Ok green	Yt yellow	Ct grey	Pt pink	Bt blue	Rt red	Alsh shield
CP	PUR cable 12 wires 6220/030	Wt white + Wh/GN white/green	Bt blue + Bt/GN brown / green	Ct grey	Bt brown	Rt red	Pt pink	Gt green	Bt black	General shielding

ORDERING REFERENCE (Contact the factory for special versions - ex: stainless steel version, connections...)

	Mechanics	Supply Output stage	Signals	Resolution	Connection	Connection orientation
HCWR	00: Modular	2G2: 5Vdc TL / RS422 output	9: A, A/ B, B/ G, G/	1024: max	G3: PVC cable 8 wires R020: Radial cable 2m	G3: R020: Radial cable 2m
		PG5: 5 to 30Vdc Push-pull output (TL / RS422 available / encoder supply 9, 2Vdc)			GP: PUR cable 12 wires	
Ex-HCWR	00 //	PG5	9 //	01024 //	G3	R020

AVAILABLE RESOLUTIONS

32 44 128 256 1024

